

SPECIFICATIONS

OPERATING PARAMETERS

Pressure rating per criteria of ANSI/ASME B31.3

Maximum Inlet Pressure

3500 psig / 241 bar

Design Proof Pressure

150% of maximum rated

Leak Rate

Internal: Bubble-tight

External: Designed to meet

$\leq 2 \times 10^{-8}$ atm cc/sec He

Operating Temperature

-40°F to 165°F / -40°C to 74°C

Flow Capacity

$C_v = 0.06$

MEDIA CONTACT MATERIALS

Body

316 Stainless Steel or Brass

Friction Sleeve

Inner: PTFE

Outer: 316 Stainless Steel

Bonnet

PCTFE

Spring

316 Stainless Steel

Valve Seat

PCTFE

Remaining Parts

316 Stainless Steel (and Brass for Brass bodies)

Diaphragm

PCTFE

OTHERS

Gauges

(3 standard)

316 Stainless Steel gauges with Stainless Steel regulators, Brass gauges with Brass regulators

Cleaning

CGA 4.1 and ASTM G93

Weight

5 lbs / 2.3 kg

Connections

1/4" Female NPTF

Teflon® is a registered trademark of E.I. duPont de Nemours and Company



The CS-2200 Series is a complete high purity changeover system which combines the changeover regulator and a line regulator into a compact wall mount system for specialty, corrosive, and pyrophoric gases.

Diffusion-resistant metal diaphragm seal ensures gas purity and integrity. It provides continuous low flow of gas from two pressure sources.

APPLICATIONS

- CO₂ for tissue and cell culture incubators supply
- Analyzer carrier gases
- Laser cutting assist gas

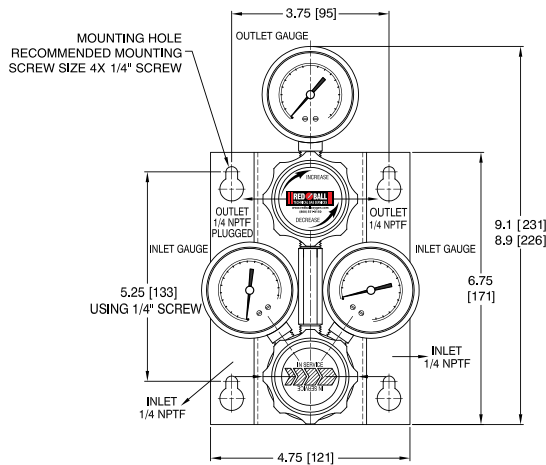
FEATURES AND BENEFITS

- Maximum inlet pressure: 3500 psig / 241 bar
- Four maximum delivery pressures from 25 to 150 psig / 1.7 to 10.3 bar
- Designed to provide a continuous flow of gas for applications requiring stored gas supplies
- Available in 316 Stainless Steel or Brass
- Mounting bracket is standard
- Two 3 ft. 316 Stainless steel armored pigtails with a 316L stainless steel inner core, check valve/CGA
- Multiple CGA connections available: 350, 580 and 590

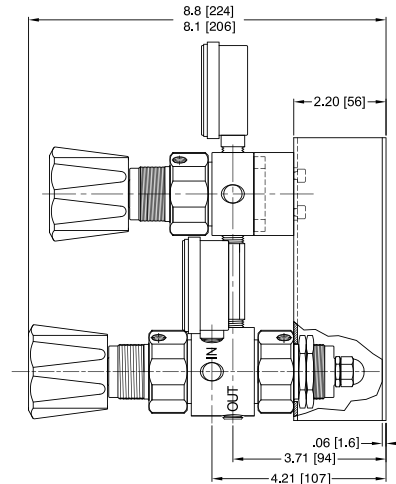
CS-2200 SERIES

CHANGEOVER SYSTEM

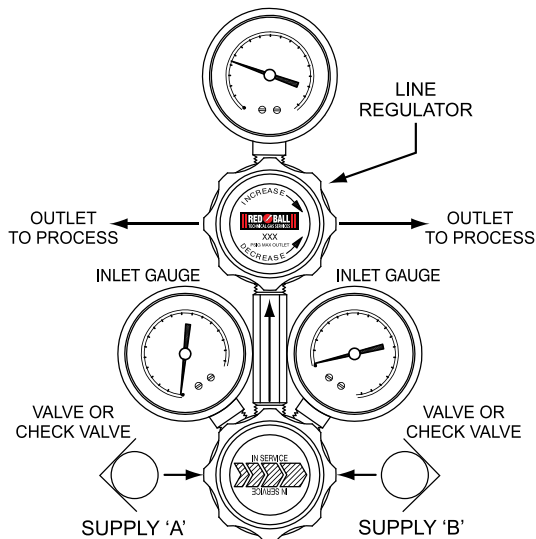
CS2200 SERIES CHANGEOVER SYSTEMS (LOW FLOW)



All dimensions are reference & nominal
Metric [millimeter] equivalents are in brackets



BASIC FUNCTIONAL DESCRIPTION CHANGEOVER SYSTEMS



SINGLE BODY CHANGEOVER SYSTEM

When primary supply to the changeover regulator (supply 'A') is consumed, the secondary supply (supply 'B') feeds the line regulator and/or process. The line regulator supplies media to the process at the precise pressure required. By turning the changeover regulator handknob clockwise, supply 'A' can then be replenished. When supply 'B' is depleted, supply 'A' will then begin to feed the line regulator and/or process. With a counterclockwise turn of the changeover regulator handknob, supply 'B' can be replenished.

CS-2200 SERIES CHANGEOVER SYSTEM PART NUMBER SELECTOR

Example for selecting a part number:

CS-22 6 3 - 2 4 1 -064

| BASIC SERIES | BODY MATERIAL | OUTLET PRESSURE RANGES | INLET & OUTLET PORT TYPE | INLET & OUTLET PORT SIZE | MAXIMUM INLET PRESSURE |
|--------------|--------------------------|-----------------------------|--------------------------|--------------------------|-------------------------------------|
| CS-22 | P - Nickel -Plated Brass | 0 - 0-25 psig / 0-1.7 bar | 2 - NPTF | 4 - 1/4" | 1 - 3500 psig / 241 bar (w/gauges) |
| | 6 - 316 Stainless Steel | 1 - 0-50 psig / 0-3.4 bar | | | 2 - 3500 psig / 241 bar (no gauges) |
| | | 2 - 0-100 psig / 0-6.9 bar | | | |
| | | 3 - 0-150 psig / 0-10.3 bar | | | |