

REGULATOR PROTOCOL STATION

SPECIFICATIONS

OPERATING PARAMETERS

Pressure rating per criteria of CGA E-4; ASME B31; ASME BPVC

Maximum Operating Pressure

3000 psig / 207 bar

Design Proof Pressure

150% of rated pressure

Pressure Rating

Per Criteria of ANSI/ASME B31.3

Operating Temperature

-40 to 140°F / -40 to 60°C

Flow Capacity

Cv = 0.16

MEDIA CONTACT MATERIALS

Manifold Block

316 Stainless steel or Nickel-Plated Brass

Armored Pig Tail (3 ft.)

316 Stainless steel with 316L Stainless steel inner core

Mounting Bracket

304 Stainless steel



Regulator Protocol Station (RPS) offers a convenient way to mount a single or two stage regulator. The CGA connection allows for a swivel connection to the regulator.

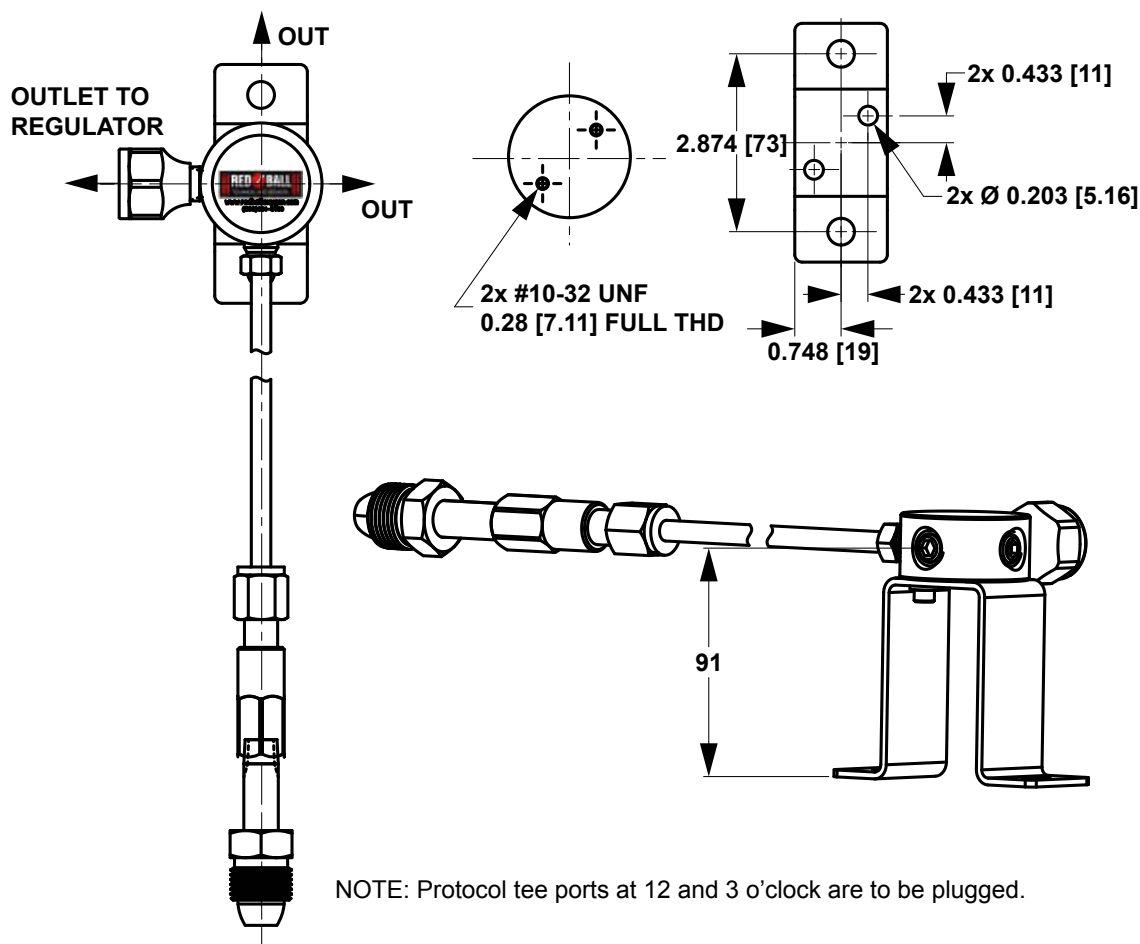
This eliminates the need to rotate the entire regulator assembly on to an NPT fitting making installation quicker and easier. Other features include a 3 ft. 316 Stainless steel armored pigtail with a 316L Stainless steel inner core, check valve and a mounting block with extra ports for installation flexibility.

FEATURES AND BENEFITS

- Multiple CGA connections available: 350, 580, 590 and 660
- Wall mount bracket
- Check valve installed on CGA
- Mating CGA connection installed on manifold block for simple and fast swivel installation of regulator assembly
- Additional ports on manifold block for installation flexibility



REGULATOR PROTOCOL STATION



All dimensions are reference and nominal Metric [millimeter] equivalents are in brackets.

RPS REGULATOR PART NUMBER SELECTOR

Base Model

Example for selecting a part number:

RPS _____ 6 _____ 01 _____ 02 _____ 0 -001

BASIC SERIES	PROTOCOL TEE MATERIAL	INNER CORE HOSE MATERIAL	CHECK VALVE SEAT MATERIAL	OTHER WETTED PARTS ¹	INLET CONNECTION TO BOTTLE	OUTLET CONNECTION TO REGULATOR	OUTLET VALVE
RPS-	1 - Nickel -Plated Brass	316L Stainless Steel	EPDM	Brass	00 - 1/4 Female NPT 01 - 1/4 Male NPT	00 - Open, 1/4 Female NPT 01 - 1/4 Male NPT	0 - No
	6 - 316L Stainless Steel	316L Stainless Steel	Fluorocarbon (FKM)	316 Stainless Steel	02 - CGA 350 04 - CGA 580 05 - CGA 590 06 - CGA 660	02 - CGA 350 04 - CGA 580 05 - CGA 590 06 - CGA 660 07 - Swivel (1/4 Tube Fitting)	

¹All plugs, connections and valves, will be of material listed in "other wetted parts."