

SAMPLING CYLINDER

GAS HANDLING EQUIPMENT

SPECIFICATIONS

Pressure Rating _____ Sample cylinders: 1800 PSIG

Internal Volume _____ 150cc, 300cc, 500cc, 1000cc

MATERIAL OF CONSTRUCTION

Body: 316 Stainless Steel

OPTIONS

- Laser Marking
- Assembly & Pressure Test

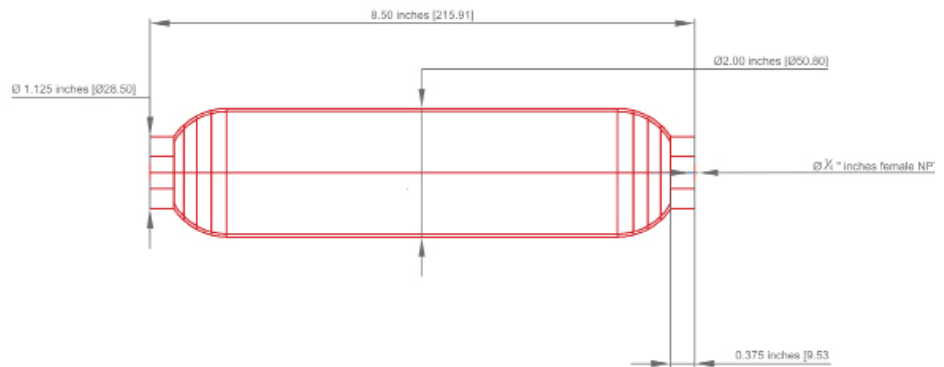


Red Ball TGS Sampling Cylinders are designed to provide a safe and reliable solution for a variety of liquid and gas storage, transportation, sampling, and analysis needs.

The sampling cylinders feature seamless 316 stainless steel construction, allowing for consistent wall thickness/internal volume, and increased corrosion resistance and integrity. All cylinders have 1/4 inch Female NPT connections on each end, which integrate seamlessly with the stainless steel inlet and outlet shut-off valves (optional burst discs, and relief valves available).

FEATURES AND BENEFITS

- Seamless 316 stainless steel cylinders
- Consistent wall thickness and internal volume
- 316 stainless steel inlet and outlet valves
- Optional pressure relief devices
- Cylinder is hydrostatically tested to at least 5/3 the working pressure



SAMPLING CYLINDER

| PART # | MATERIAL GRADE | SAMPLE VOLUME | PRESSURE RATING | FITTING SIZE | DIMENSIONS (H X L) | | |
|------------|----------------|---------------|-----------------|--------------|--------------------|-----------------|------------|
| | | | | | Height (Inches) | Length (Inches) | Wall Depth |
| IS150CC-1 | 316L SS | 150cc | 1800 (PSIG) | 1/4 | 2.00 | 4.75 | 0.087 |
| IS300CC-1 | 316L SS | 300cc | 1800 (PSIG) | 1/4 | 2.00 | 8.50 | 0.087 |
| IS500CC-1 | 316L SS | 150cc | 1800 (PSIG) | 1/4 | 2.00 | 12.63 | 0.087 |
| IS1000CC-1 | 316L SS | 1000cc | 1800 (PSIG) | 1/4 | 2.94 | 10.38 | 0.087 |

Every Cylinder Tested to 3000 PSI | Burst Pressure is ~ 7000 PSI