

# SHUT OFF VALVES

GAS HANDLING EQUIPMENT

## SPECIFICATIONS

Pressure Rating **Maximum 3000 PSIG**  
 Weight **0.4-0.5 lbs**  
 Leak Rate **Bubble Tight**  
 Flow (Cv) **0.25**

## PORTING

Inlet: 1/4-18" MNPT  
 Outlet: 1/4-18" MNPT

## MAXIMUM INLET PRESSURE

Body & Valve Nut: 316 Stainless Steel  
 Valve Stem: 17-4 H900 Stainless Steel  
 O-Rings: Viton®, EPDM, Low-temp Nitrile  
 Back-up Ring: PTFE  
 Bore Size: Ø 1/8"  
 Optional Dip Tube: PTFE

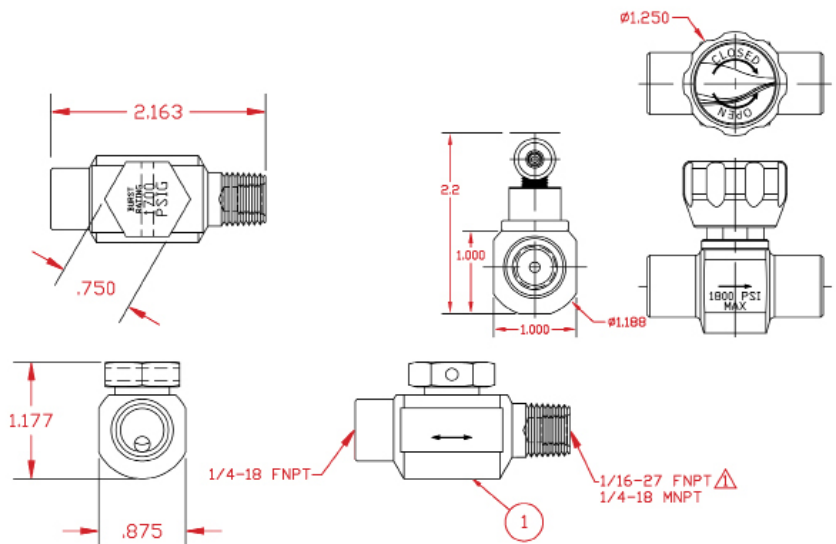
## OPTIONAL ITEMS

- Dip tube, 1/16-27 FNPT (order separately)
- SilcoNert 2000® coating of wetted materials
- Relief Valve (600 PSIG or 1800 PSIG)
- Burst Disk (1700 PSIG)
- Pressure marking/labeling on valve body



Red Ball TGS's shut-off valve, is part of a family of manual, high pressure, shut off valves.

This valve features a stainless steel body, soft seat, 17-4 H900 stainless steel valve stem, and a flow Cv pf 0.25. Optional integrated burst disks, and relief valves are available.



## FEATURES AND BENEFITS

- Compact Size
- Soft seat
- Maximum inlet pressure of 3,000 PSI
- Cv of 0.25
- 316 stainless steel body and valve nut
- Optional pressure relief devices
- Optional dip tube
- Machined bar stock bodies eliminate porosity found in castings

## SHUT-OFF VALVES

PART #	VALVE TYPE	CONNECTION		FLOW
		Inlet Port	Outlet Port	
IS70-216MF	Needle Valve	1/4 inch (Male NPT)	1/4 inch (Female NPT)	Straight =>
IS70-216MFR	Needle Valve with Rupture Disc	1/4 inch (Male NPT)	1/4 inch (Female NPT)	Straight =>
IS50-116R	Rupture Disc Tee	1/4 inch (Male NPT)	1/4 inch (Female NPT)	Straight =>
IS60-210S	Spring Loaded Tee	1/4 inch (Male NPT)	1/4 inch (Female NPT)	Straight =>
IS70-216MFS	Needle Valve with Spring Loaded	1/4 inch (Male NPT)	1/4 inch (Female NPT)	Straight =>